

Actual information about approvals can be found on
<http://www.schurter.com/approvals>



C14



70° C



Standard- or Medical-Filter

Description

- Panel mount:
- Screw-on version from front side
- 4 Functions:
- Connector, Fuseholder with interchangeable fuse drawer for Fuse-links 5 x 20 mm or 6.3 x 20 mm 1- or 2-pole, Voltage selector (series-parallel), Line filter in standard and medical version
- Quick connect terminals 4.8 x 0.8 mm
- Alternative: version without line filter [KE](#)

Characteristics

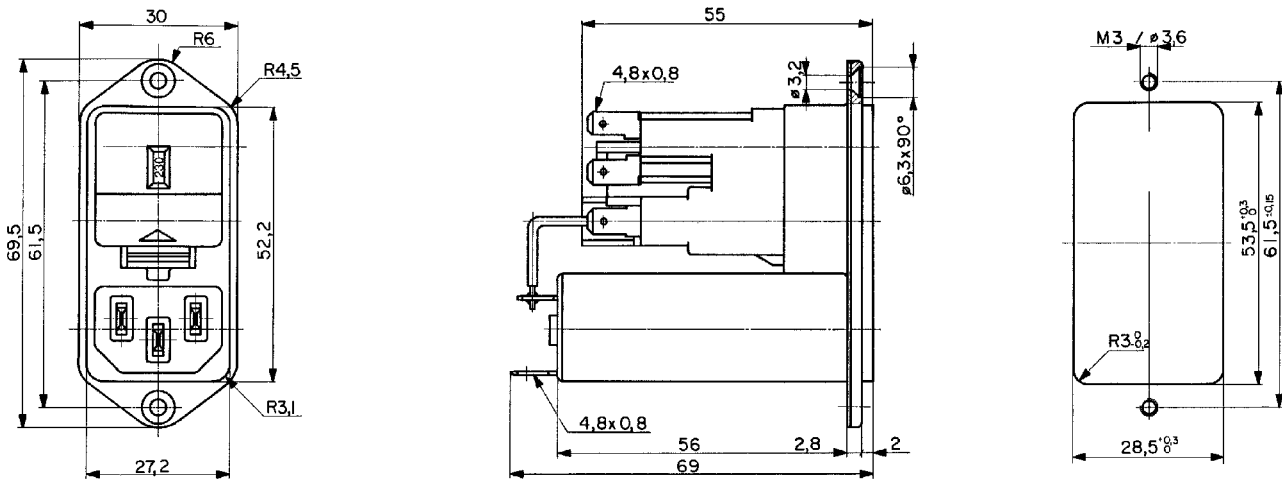
- All single elements are already partial wired
- For added safety "Extra-Safe" fuse drawers are available
- Fuse drawer meets requirements of medical standard IEC/EN 60601-1
- The fuse drawer can only be opened with the aid of a tool
- The fuseholder is accessible from the equipment front
- Qualified for use in equipment according IEC/EN 60950

Technical data

Ratings IEC	1 - 10 A @ Ta 40 °C / 250 VAC; 50 Hz
Ratings UL/CSA	1 - 10 A @ Ta 40 °C / 125 VAC; 60 Hz
Leakage current	standard < 0.5 mA (250 V / 60 Hz) medical < 5 µA (250 V / 60 Hz)
Dielectric strength	> 1.7 kVDC between L-N > 2.7 kVDC between L/N-PE Test voltage (2 sec)
Allowable operation temp.	-25 °C to 85 °C
Climatic category	25/085/21, IEC 60068-1
Degree of protection	from front side IP40 acc. to IEC 60529
Protection class	Suitable for appliances with protection class I acc. to IEC 61140
Terminals	Quick-connect terminals 4.8 x 0.8 mm
Panel thickness s	Screw-on: max 8 mm Mounting screw torque max 0.5 Nm
Materials: Housing	Thermoplastic, black, UL 94V-0

Appliance-inlet /-outlet	C14 acc. to IEC/EN 60320-1, UL 498, CSA C22.2 no. 42 (for cold condition) pin-temperature 70 °C, 10 A, Protection class I
Fuseholder	1- or 2-pole, Shocksave category PC2 acc. to IEC/EN 60127-6, for fuse-links 5 x 20 or 6.3 x 32 mm
Rated power acceptance @ Ta 23 °C	5 x 20: 2.5 W (1-pole)/ 2 W (2-pole) per pole 6.3 x 32: 3.15 W (1-pole)/ 2.5 W (2-pole) per pole
Power acceptance @ Ta > 23°C	Admissible power acceptance at higher ambient temperature see derating curves. Take note of the information GENERAL PRODUCT INFORMATION
Voltage selector	series-parallel, 4, 3 or 2 switch positions or usable as 2-pole change-over switch
Line filter	Standard and medical version, IEC 60939, IEC 60601-1, UL 1283, UL 544, EN 133 200, CSA C22.2 no. 8 Technical details GENERAL PRODUCT INFORMATION

Dimensions



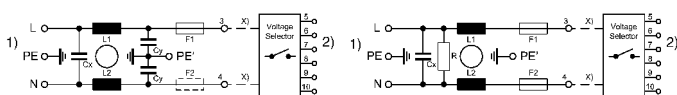
Technical data of filter-components

Rated current [A]	Filter-Type	Inductances L [mH]	Capacitance CX [nF]	Capacitance CY [nF]	R [M Ω]
1	Standard Version	2 x 10	68	2.2	
2	Standard Version	2 x 4	68	2.2	
4	Standard Version	2 x 1.5	68	2.2	
6	Standard Version	2 x 0.8	68	2.2	
10	Standard Version	2 x 0.3	68	2.2	
1	Medical Version (M5)	2 x 10	68		1
2	Medical Version (M5)	2 x 4	68		1
4	Medical Version (M5)	2 x 1.5	68		1
6	Medical Version (M5)	2 x 0.8	68		1
10	Medical Version (M5)	2 x 0.3	68		1

Diagrams

Standard version

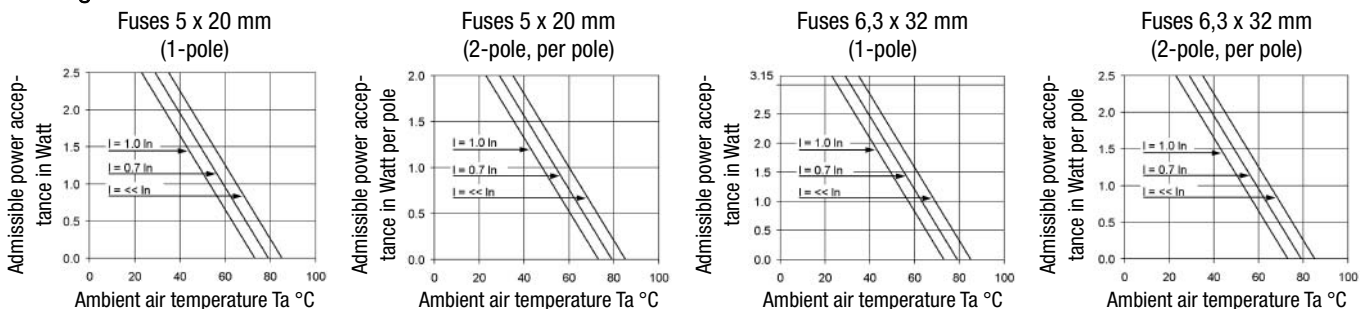
Medical version



- 1) Line
- 2) Load
- x) External connection to be made by customer

- 1) Line
- 2) Load
- x) External connection to be made by customer

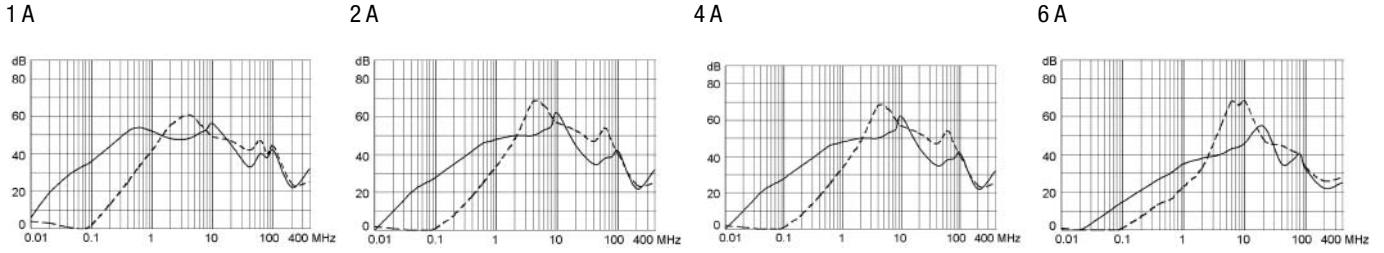
Derating curves



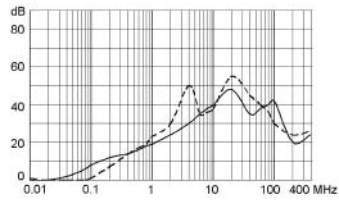
Attenuation loss

--- differential mode — common mode

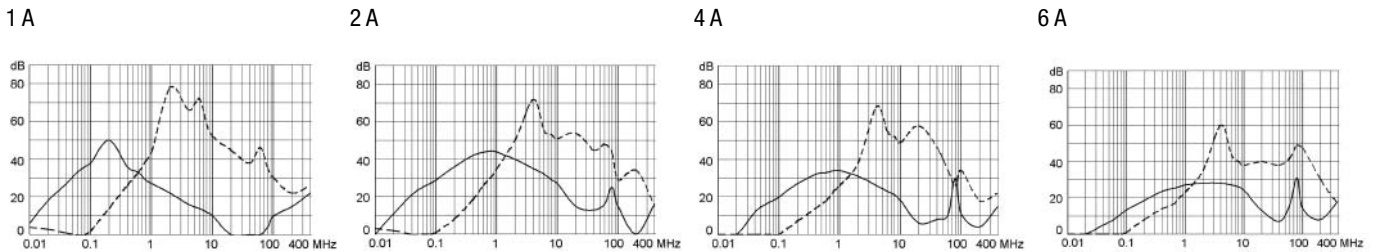
Standard version



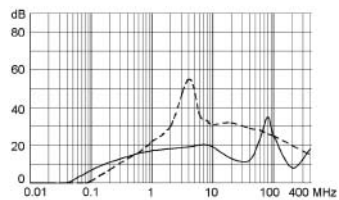
10 A



Medical version



10 A



Variants

Fuse drawer and voltage selector insert must be ordered separately.

Order Number	Rated current [A]	Filter-Type	Fuseholder
CE16.5100.151	1	Standard Version	1-pole
CE26.5100.151	2	Standard Version	1-pole
CE36.5100.151	4	Standard Version	1-pole
CE46.5100.151	6	Standard Version	1-pole
CE66.5100.151	10	Standard Version	1-pole
CE10.6100.151	1	Standard Version	2-pole
CE20.6100.151	2	Standard Version	2-pole
CE30.6100.151	4	Standard Version	2-pole
CE40.6100.151	6	Standard Version	2-pole
CE60.6100.151	10	Standard Version	2-pole
CEA0.6100.151	2	Medical Version (M5)	2-pole
CEC0.6100.151	4	Medical Version (M5)	2-pole
CEE0.6100.151	6	Medical Version (M5)	2-pole
CEG0.6100.151	1	Medical Version (M5)	2-pole
CELO.6100.151	10	Medical Version (M5)	2-pole

Packaging unit 10 Pcs

Accessories

ACCESSORIES